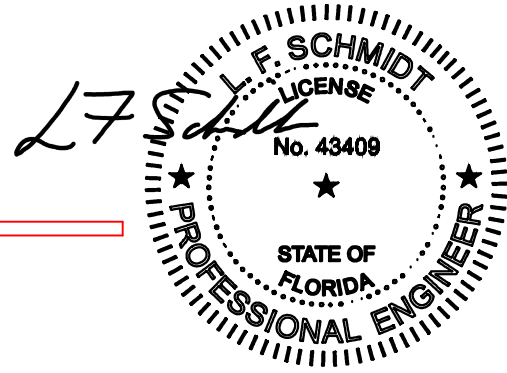




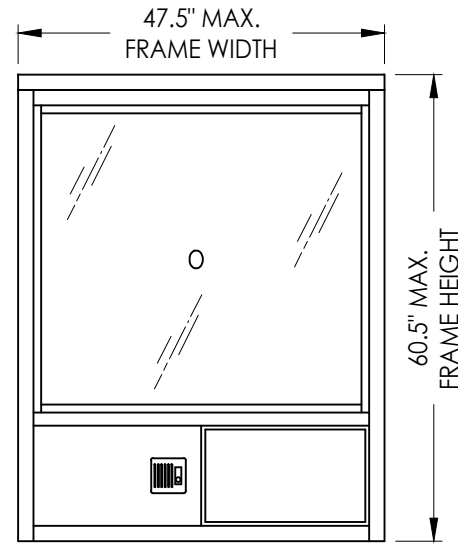
1815 Arthur Drive • West Chicago, Illinois 60185



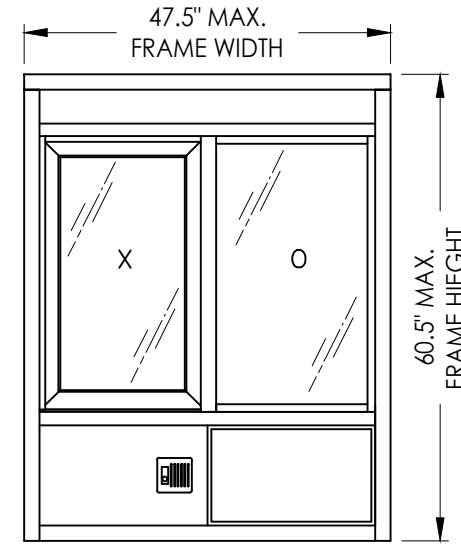
READY ACCESS DRIVE THROUGH WINDOW "NON-IMPACT"

This item has been digitally signed and sealed by L. F. Schmidt, P.E. on the date adjacent to the seal. Printed copies of this document are not considered signed and sealed and the signature must be verified on any electronic copies.

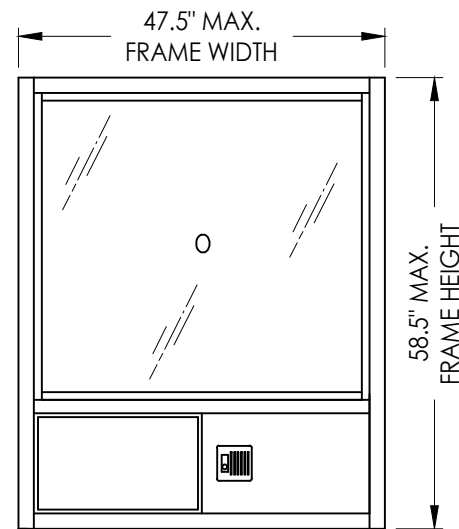
THIS PRODUCT APPROVAL IS VALID ONLY FOR THE STATE OF FLORIDA



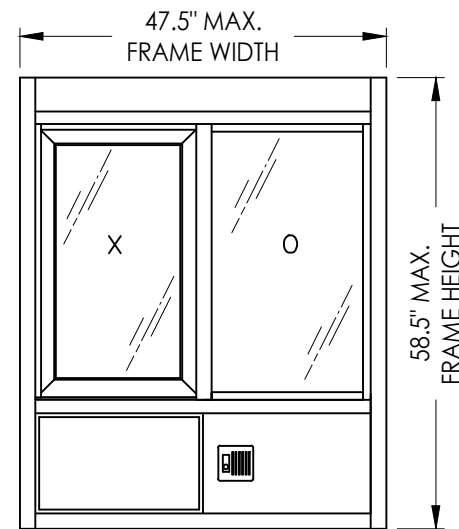
604 SERIES WINDOW



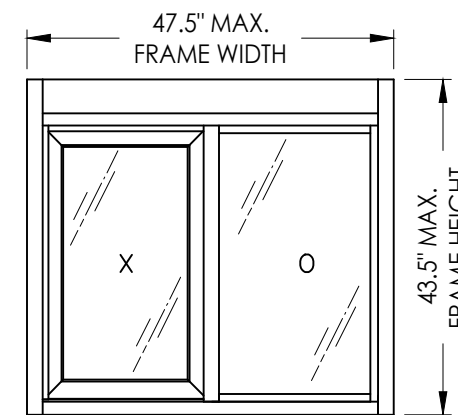
602 SERIES WINDOW



603 SERIES WINDOW



601 SERIES WINDOW



600 SERIES WINDOW

GENERAL NOTES

- This product has been evaluated and is in compliance with the 8th Edition (2023) Florida Building Code (FBC) structural requirements excluding the "High Velocity Hurricane Zone" (HVHZ).
- Product anchors shall be as listed and spaced as shown on details. Anchor embedment to base material shall be beyond wall dressing or stucco.
- When used in areas requiring wind borne debris protection this product is required to be protected with an impact resistant covering that complies with FBC Section 1609.1.2.
- For 2x stud framing construction, anchoring of these units shall be the same as that shown for 2x buck masonry construction.
- Wood bucks, by others, must be anchored properly to transfer loads to the structure.
- Site conditions that deviate from the details of this drawing require further engineering analysis by a licensed engineer or registered architect.

MODEL	OVERALL FRAME DIMENSION	OVERALL D.L.O. DIMENSION	GLASS TYPE	DESIGN PRESSURE RATING (PSF)			
				WHEN WATER INFILTRATION REQ'D		WHEN WATER INFILTRATION NOT REQ'D	
600	47.5" x 43.5"	(O) 19.62" x 33.78" (X) 16.14" x 30.18"	G1	+75.0	-75.0	+75.0	-75.0
601	47.5" x 58.5"	(O) 19.62" x 33.78" (X) 16.14" x 30.18"		+42.0	-42.0	+75.0	-75.0
602	47.5" x 60.5"	(O) 19.62" x 33.78" (X) 16.14" x 30.18"		+42.0	-42.0	+75.0	-75.0
603	47.5" x 58.5"	(O) 41.49" x 37.78"		+42.0	-42.0	+75.0	-75.0
604	47.5" x 60.5"	(O) 41.49" x 37.78"		+42.0	-42.0	+75.0	-75.0

TABLE OF CONTENTS	
SHEET #	DESCRIPTION
1	Typical elevations, design pressures & general notes
2	600 Series window sections & details
3	601 Series window sections & details
4	602 Series window sections & details
5	603 Series window sections & details
6	604 Series window sections & details
7	Anchoring
8	Components
9	Bill of materials, components & glazing details

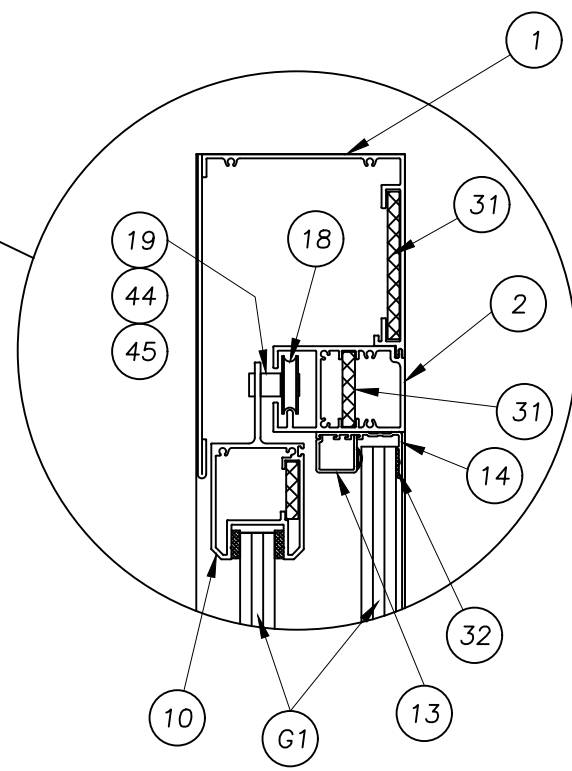
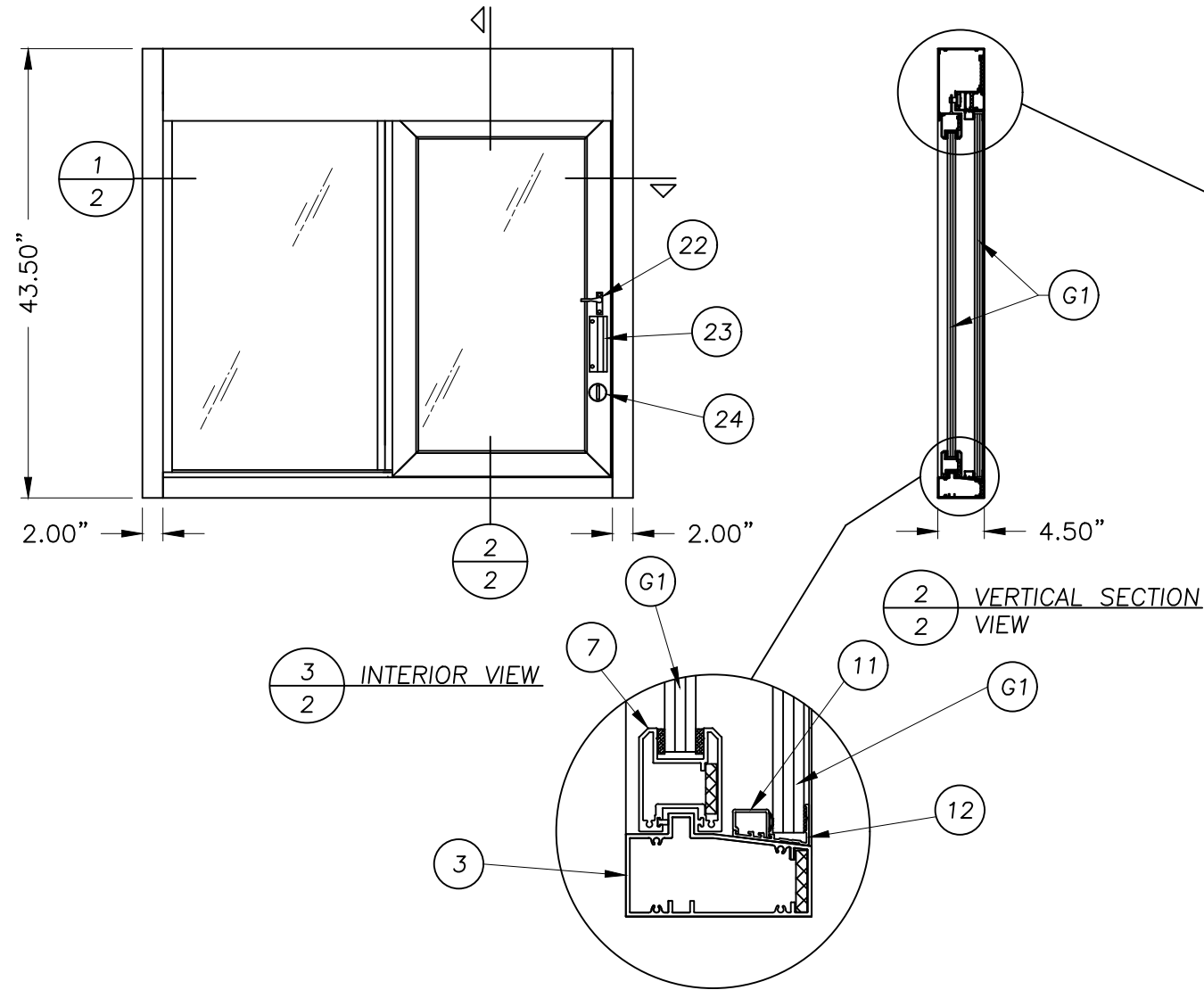
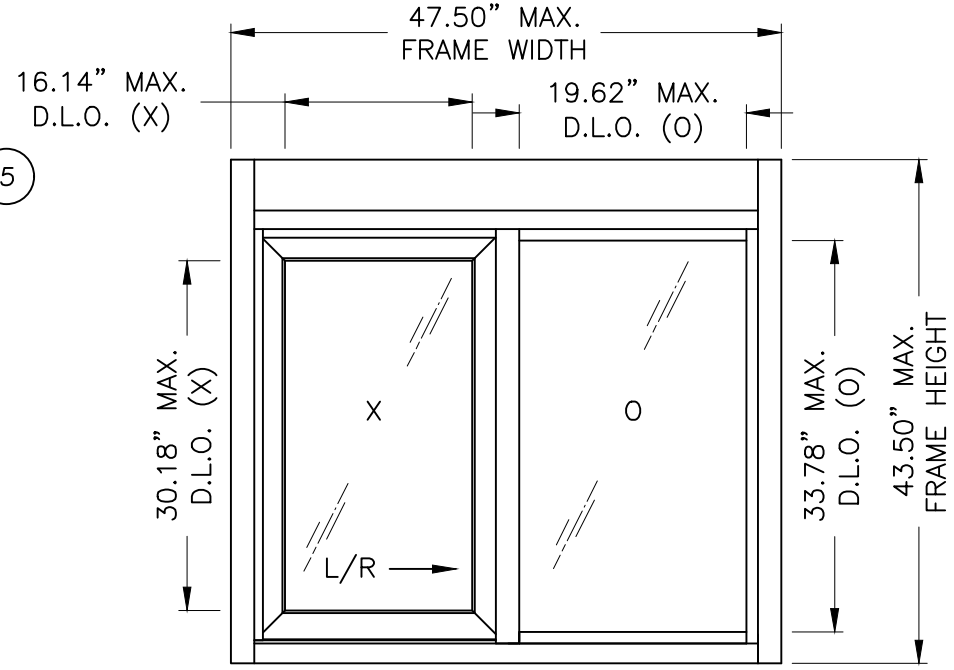
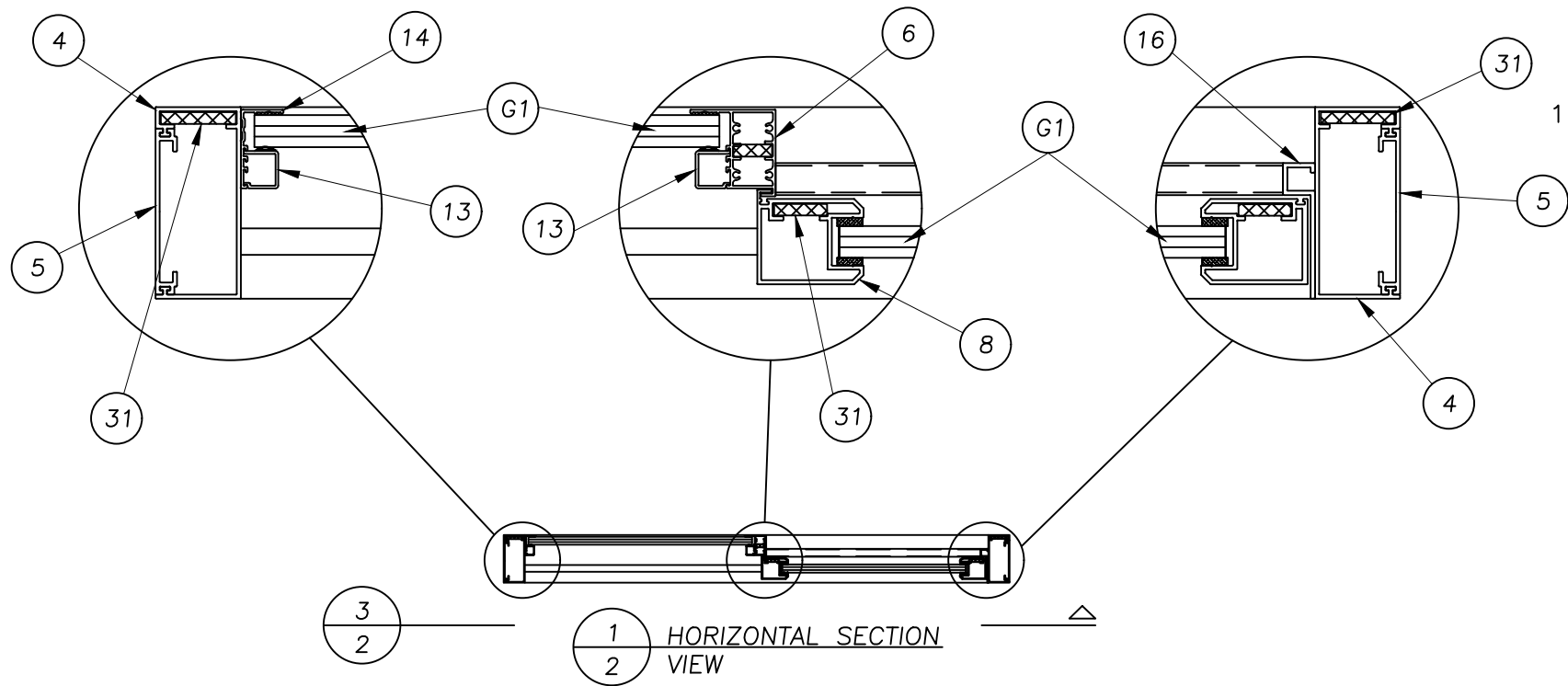
Documents Prepared By:
Lyndon F. Schmidt
P.E. No. 43409

RW BUILDING CONSULTANTS, INC.
P.O. Box 230, Valrico, FL 33595
Phone No.: 813.659.9197
FBPE Registry No. 9813

PRODUCT: READY ACCESS DRIVE THROUGH WINDOW "NON-IMPACT"
PART OR ASSEMBLY: TYPICAL ELEVATIONS, DESIGN PRESSURES & GENERAL NOTES

NO.	DATE	BY	REVISIONS
5	8/09/23	LFS	UPDATE TO 8TH ED. (2023) FBC
4	8/07/20	LFS	UPDATE TO 7TH ED. (2020) FBC
3	7/13/17	LFS	UPDATE TO 6TH ED. (2017) FBC
2	3/30/15	LFS	UPDATE TO 5TH ED. (2014) FBC
1	1/23/12	KV	UPDATE TO 2010 FBC

DATE: 9/10/08
SCALE: N.T.S.
DWG. BY: DT
CHK. BY: LFS
DRAWING NO.: FL-5102.2
SHEET 1 of 9



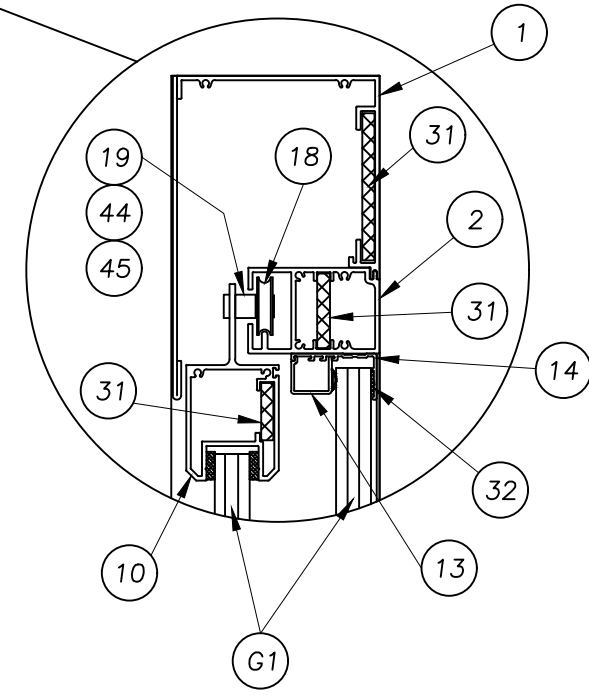
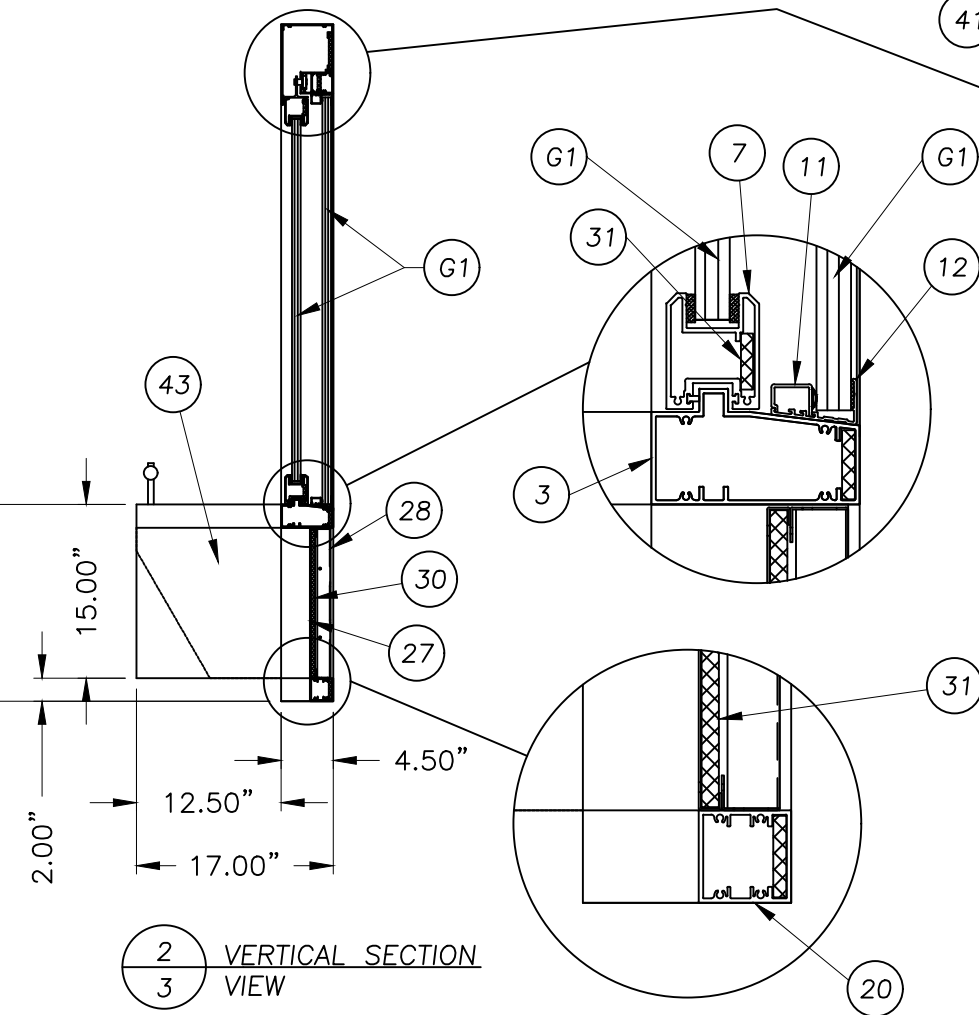
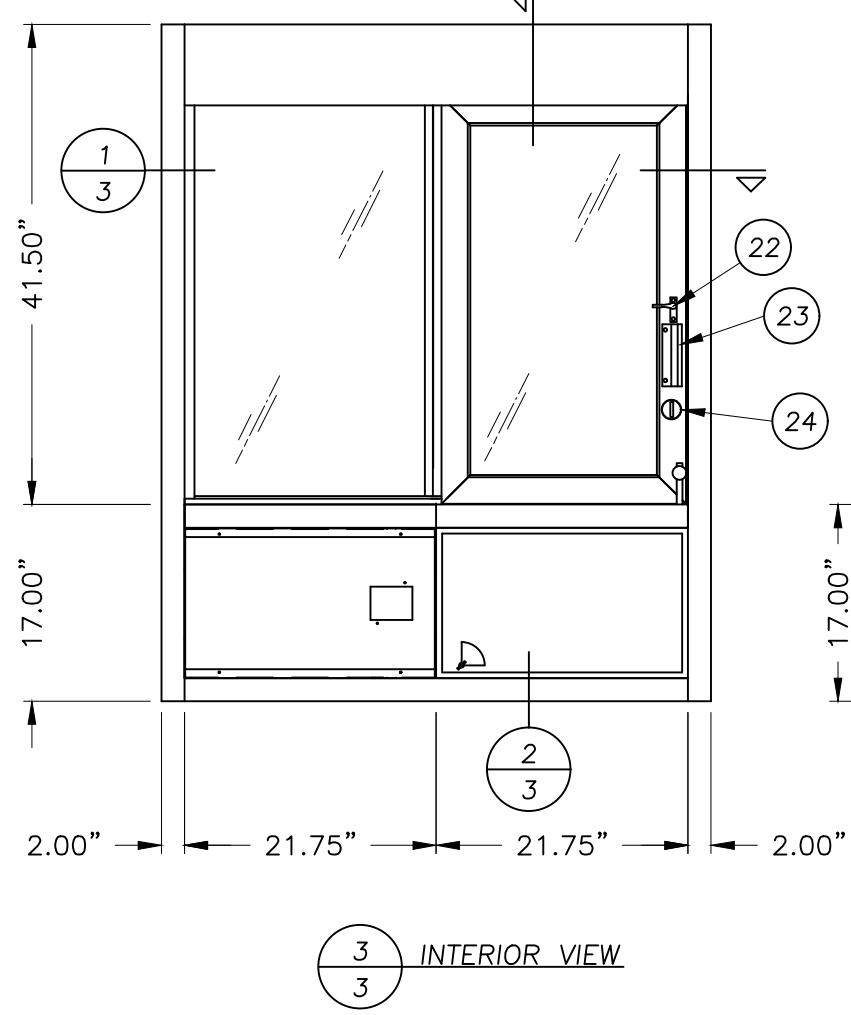
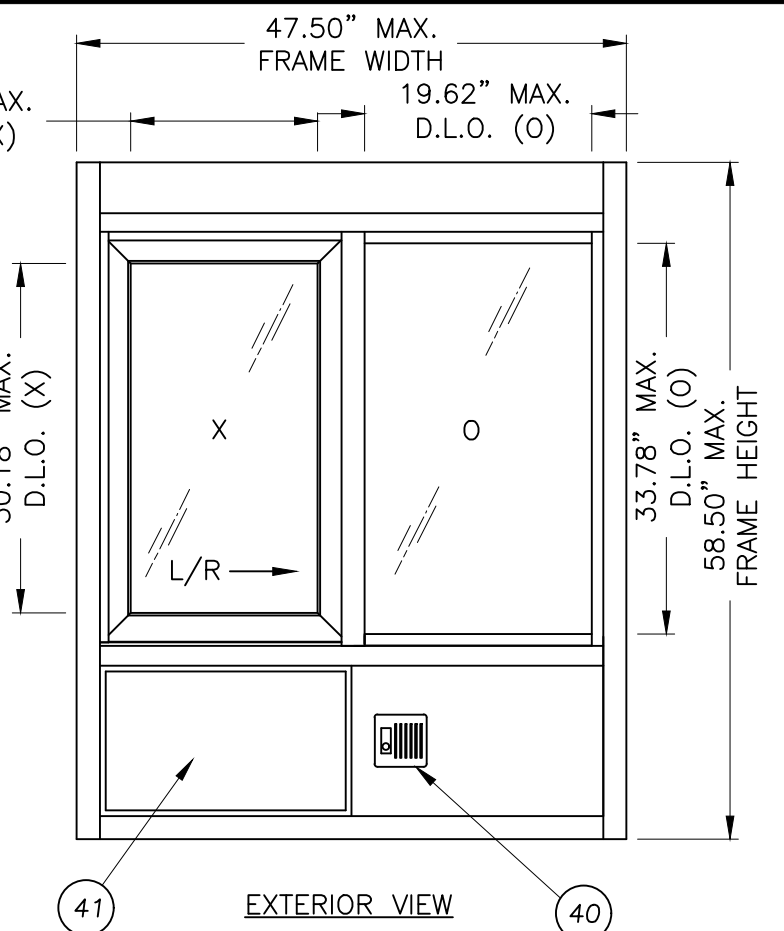
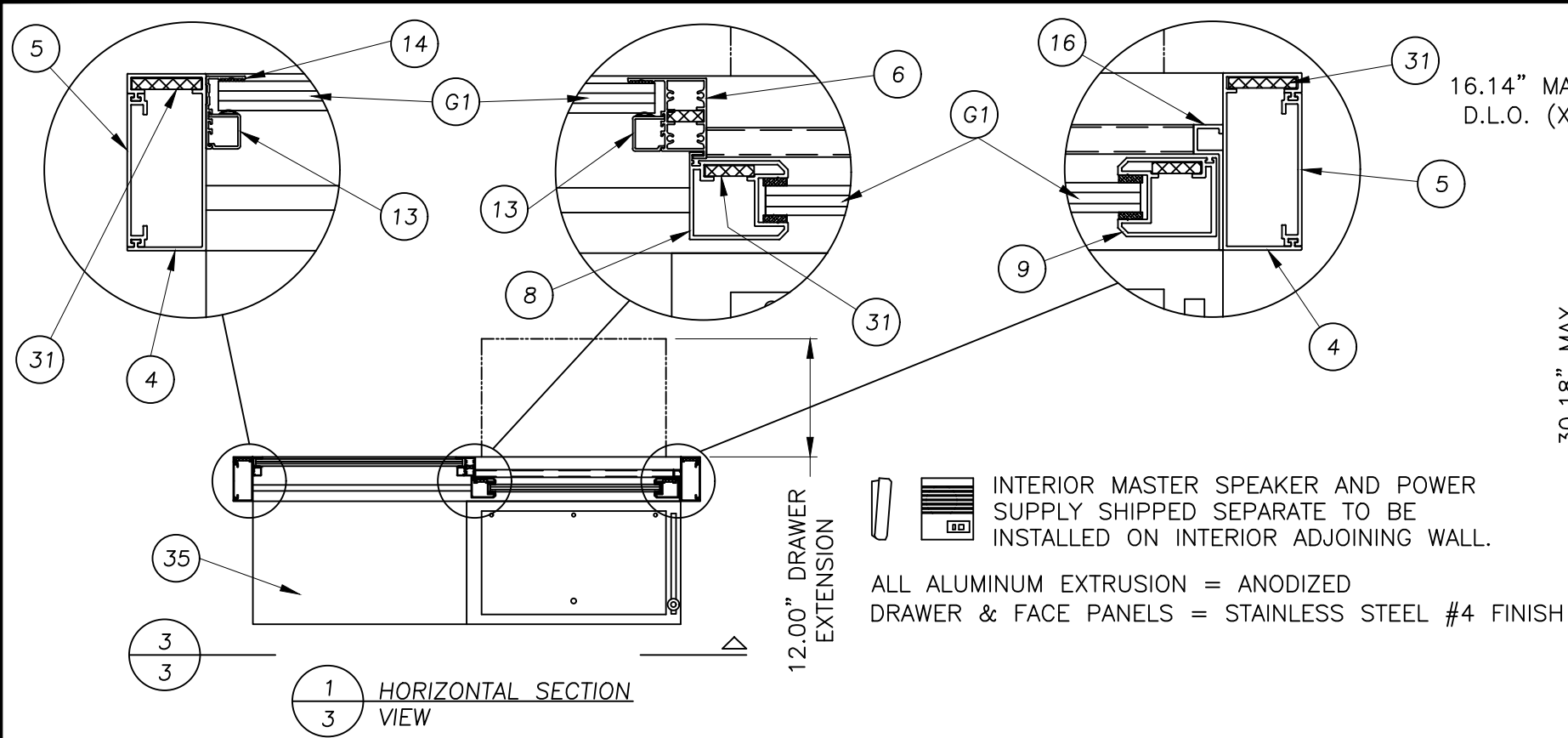
Documents Prepared By:
 Lyndon F. Schmidt
 P.E. No. 43409

RW BUILDING CONSULTANTS, INC.
 P.O. Box 230, Vairico, FL 33595
 Phone No.: 813.659.9197
 FBPE Registry No. 9813

PRODUCT: READY ACCESS
 DRIVE THROUGH WINDOW
 "NON-IMPACT"
 PART OR ASSEMBLY:
 600 SERIES WINDOW
 SECTIONS & DETAILS

NO.	DATE	REVISIONS
5	8/09/23	UPDATE TO 8TH ED. (2023) FBC LFS
4	8/07/20	UPDATE TO 7TH ED. (2020) FBC LFS
3	7/13/17	UPDATE TO 6TH ED. (2017) FBC LFS
2	3/30/15	UPDATE TO 5TH ED. (2014) FBC LFS
1	1/23/12	UPDATE TO 2010 FBC KV
		BY

DATE: 9/10/08
 SCALE: N.T.S.
 DWG. BY: DT
 CHK. BY: LFS
 DRAWING NO.: FL-5102.2
 SHEET 2 OF 9



Documents Prepared By:
Lyndon F. Schmidt
P.E. No. 43409

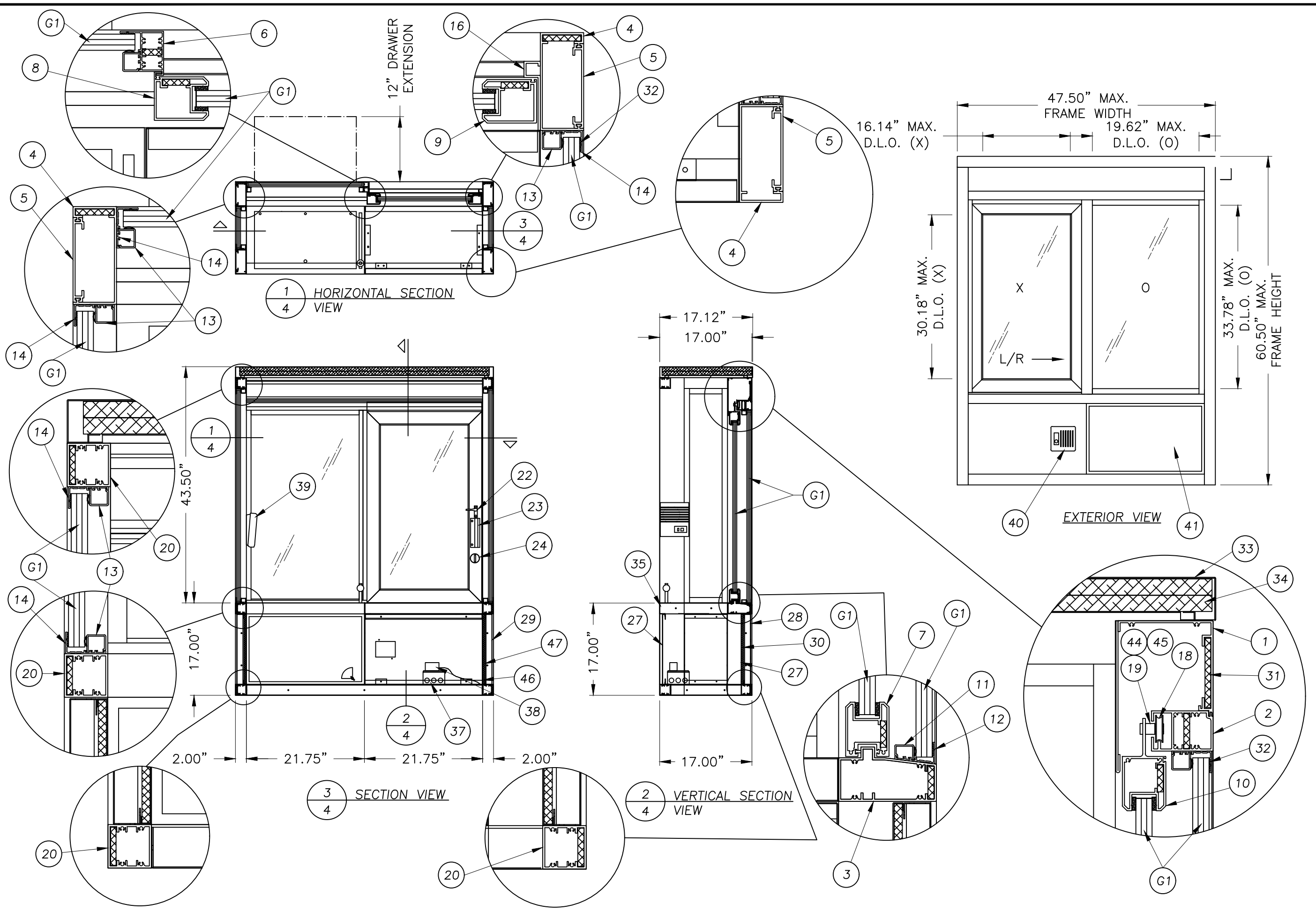
RW BUILDING CONSULTANTS, INC.
P.O. Box 230, Vairico, FL 33595
Phone No.: 813.659.9197
FBPE Registry No. 9813

PRODUCT: READY ACCESS DRIVE THROUGH WINDOW
"NON-IMPACT"
PART OR ASSEMBLY:
601 SERIES WINDOW SECTIONS & DETAILS

NO.	DATE	REVISIONS	
5	8/09/23	UPDATE TO 8TH ED. (2023)	FBC LFS
4	8/07/20	UPDATE TO 7TH ED. (2020)	FBC LFS
3	7/13/17	UPDATE TO 6TH ED. (2017)	FBC LFS
2	3/30/15	UPDATE TO 5TH ED. (2014)	FBC LFS
1	1/23/12	UPDATE TO 2010 FBC	KV BY

DATE: 5/10/08
SCALE: N.T.S.
DWG. BY: DT
CHK. BY: LFS
DRAWING NO.: FL-5102.2
SHEET 3 OF 9

Z:\2023 FBC Drawings\Ready Access Inc\FL-5102 R7\FL-5102.1-2.dwg



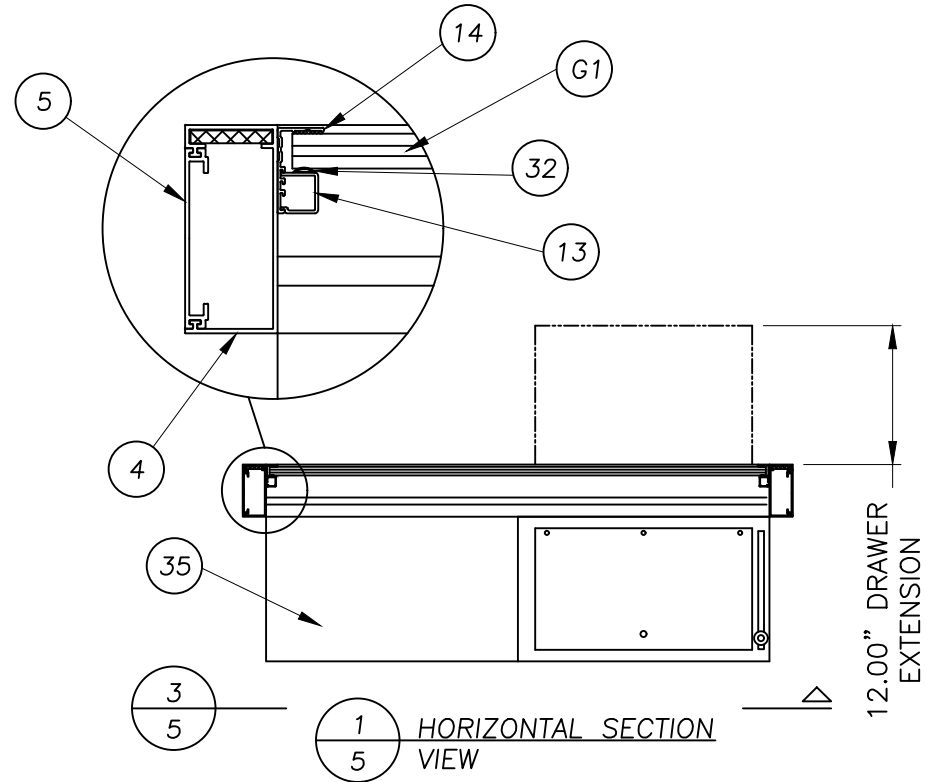
Documents Prepared By:
Lyndon F. Schmidt
P.E. No. 43409



RW BUILDING CONSULTANTS, INC.
P.O. Box 230, Vairico, FL 33595
Phone No.: 813.659.9197
FBPE Registry No. 9813

PRODUCT: READY ACCESS DRIVE THROUGH WINDOW "NON-IMPACT"
PART OR ASSEMBLY: 602 SERIES WINDOW SECTIONS & DETAILS

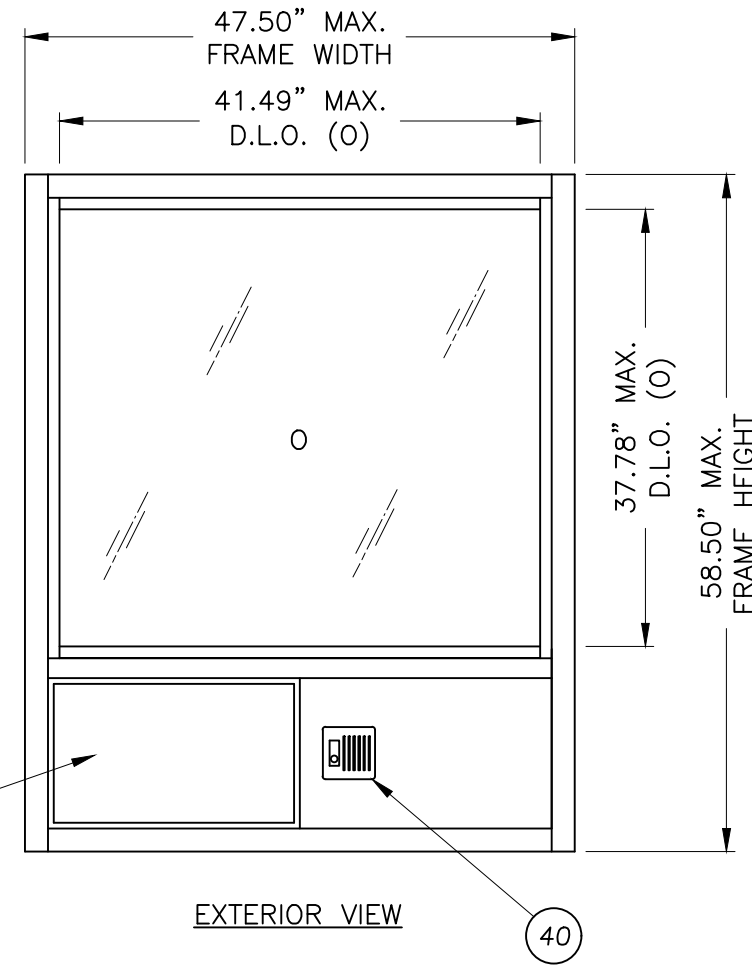
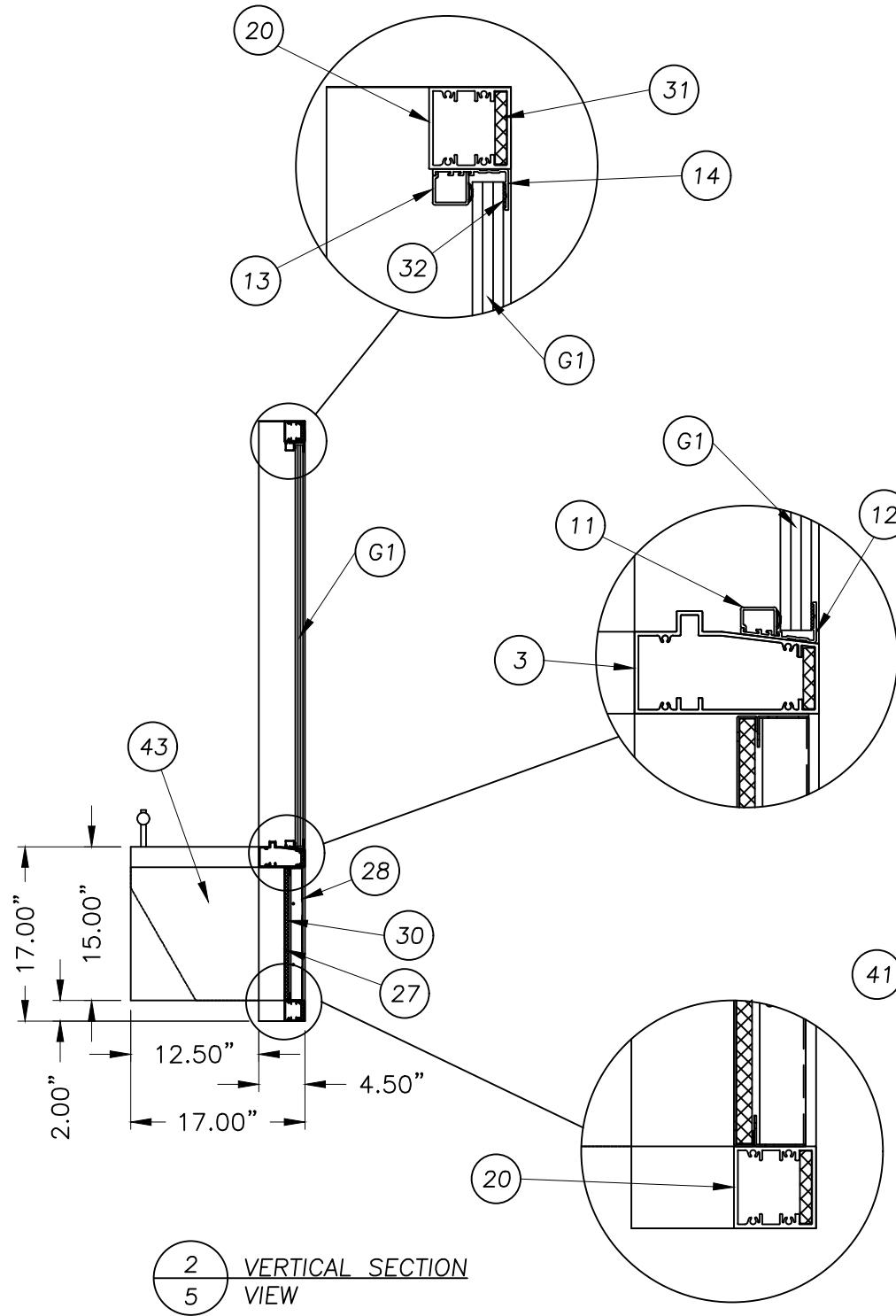
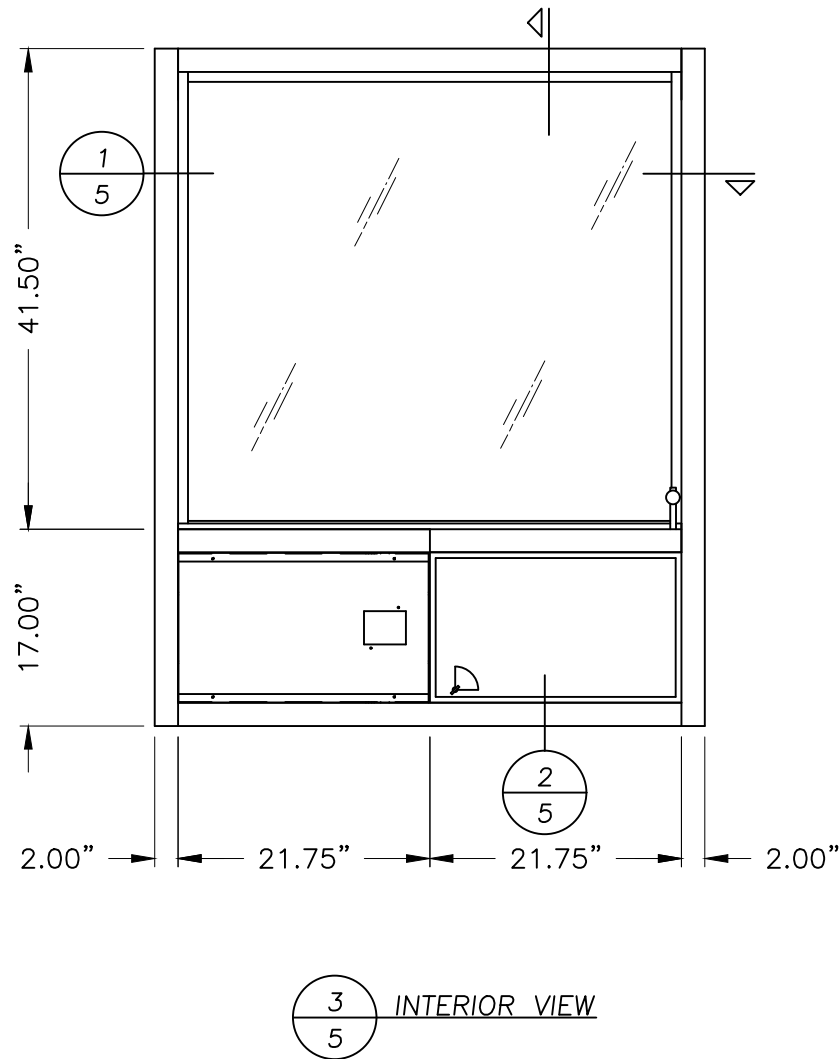
NO.	DATE	REVISIONS
5	8/09/23	UPDATE TO 8TH ED. (2023) FBC LFS
4	8/07/20	UPDATE TO 7TH ED. (2020) FBC LFS
3	7/13/17	UPDATE TO 6TH ED. (2017) FBC LFS
2	3/30/15	UPDATE TO 5TH ED. (2014) FBC LFS
1	1/23/12	UPDATE TO 2010 FBC KV
		BY

DATE: 5/10/08
SCALE: N.T.S.
DWG. BY: DT
CHK. BY: LFS
DRAWING NO.: FL-5102.2
SHEET 4 OF 9



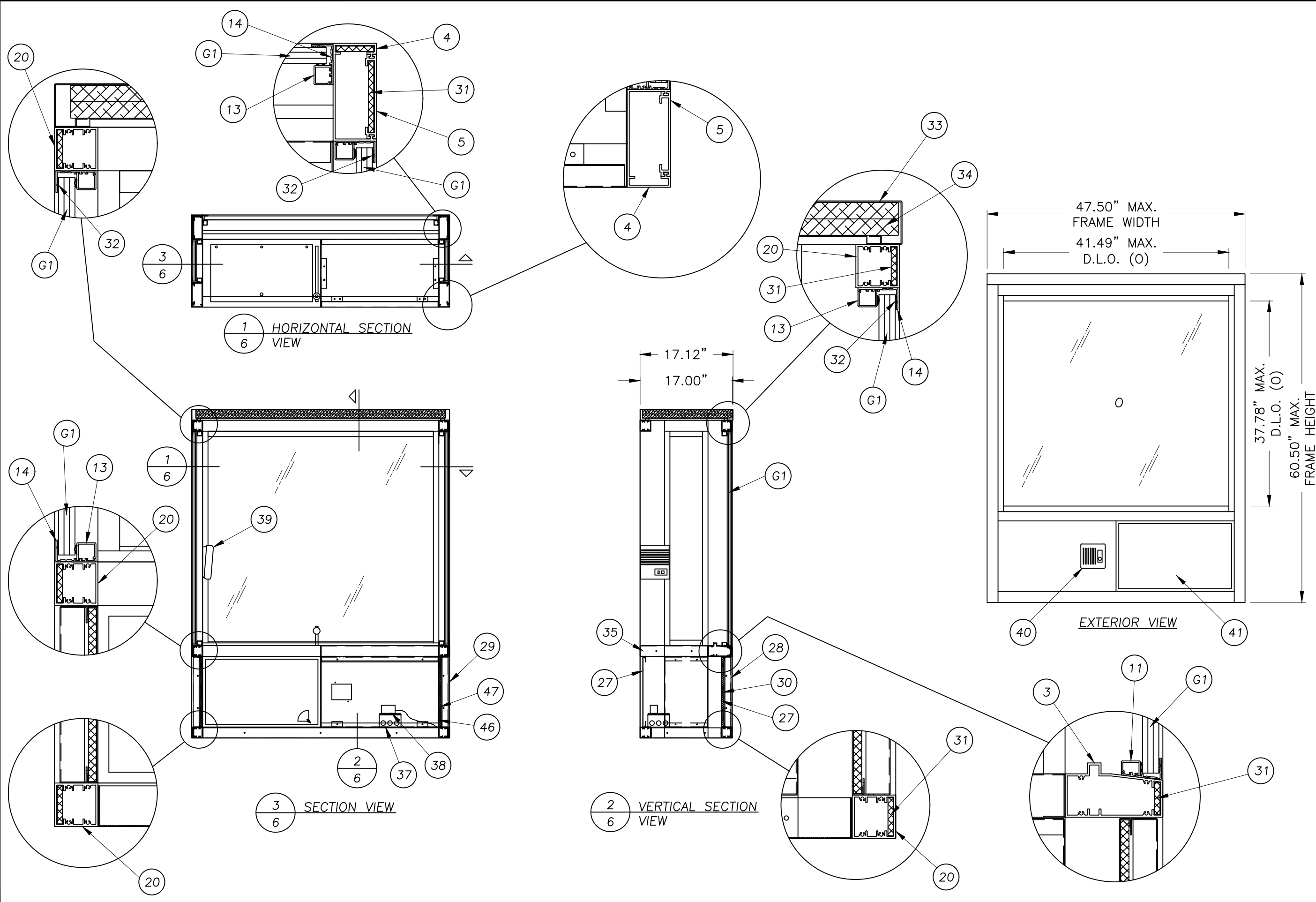
  INTERIOR MASTER SPEAKER AND POWER SUPPLY SHIPPED SEPARATE TO BE INSTALLED ON INTERIOR ADJOINING WALL.

ALL ALUMINUM EXTRUSION = ANODIZED
DRAWER & FACE PANELS = STAINLESS STEEL #4 FINISH



Documents Prepared By: Lyndon F. Schmidt P.E. No. 43409		BUILDING CONSULTANTS, INC. P.O. Box 230, Vairico, FL 33595 Phone No.: 813.659.9197 FBPE Registry No. 9813	
PRODUCT: READY ACCESS DRIVE THROUGH WINDOW "NON-IMPACT"		603 SERIES WINDOW SECTIONS & DETAILS	
NO.	DATE	REVISIONS	
5	8/09/23	UPDATE TO 8TH ED. (2023) FBC	LFS
4	8/07/20	UPDATE TO 7TH ED. (2020) FBC	LFS
3	7/13/17	UPDATE TO 6TH ED. (2017) FBC	LFS
2	3/30/15	UPDATE TO 5TH ED. (2014) FBC	LFS
1	1/23/12	UPDATE TO 2010 FBC	KV
			BY
DATE: 5/10/08		SCALE: N.T.S.	
DWG. BY: DT		CHK. BY: LFS	
DRAWING NO.: FL-5102.2		SHEET 5 OF 9	

Z:\2023 FBC Drawings\Ready Access Inc\FL-5102 R7\FL-5102.1-2.dwg



Documents Prepared By:
 Lyndon F. Schmidt
 P.E. No. 43409

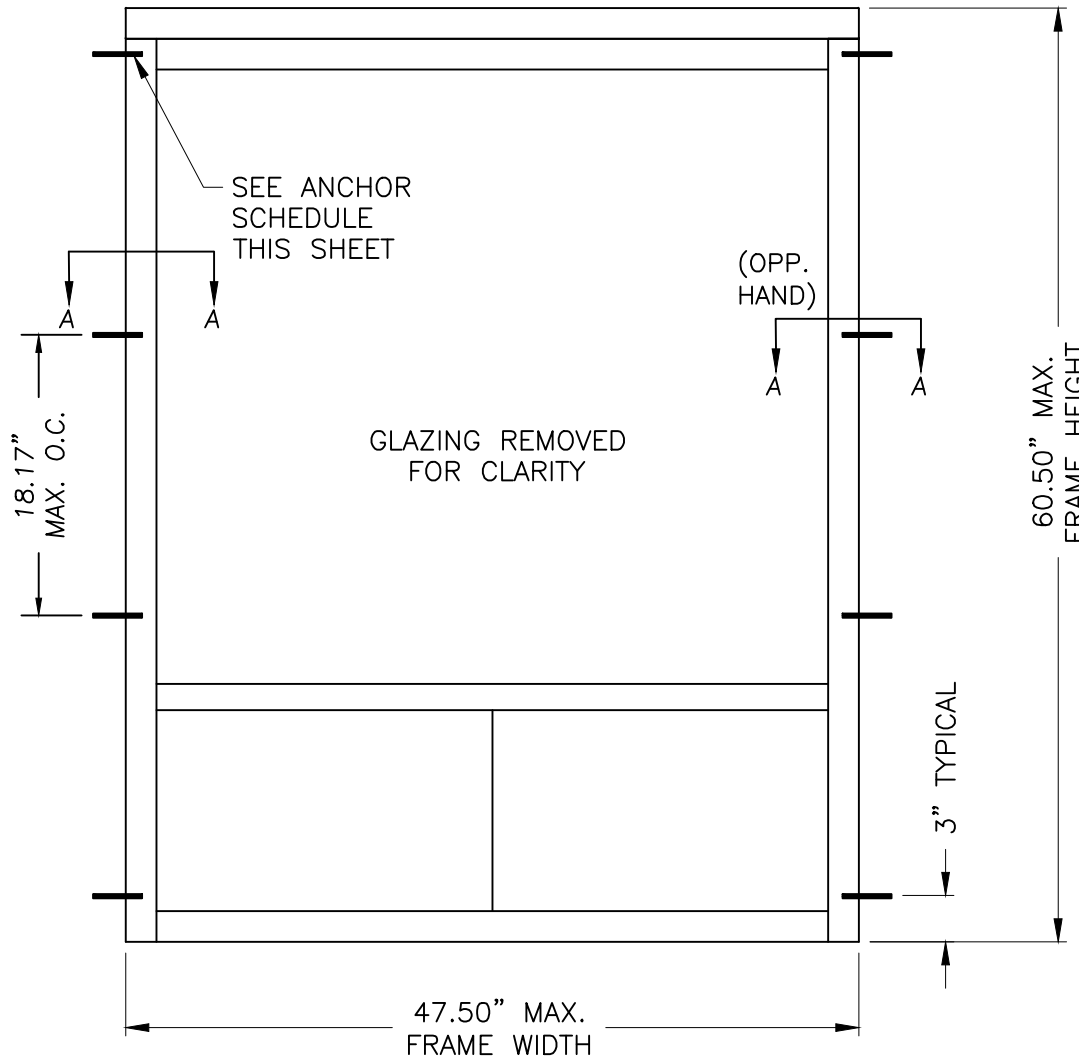
RW BUILDING CONSULTANTS, INC.
 P.O. Box 230, Valrico, FL 33595
 Phone No.: 813.659.9197
 FBPE Registry No. 9813

PRODUCT: READY ACCESS
 DRIVE THROUGH WINDOW
 "NON-IMPACT"

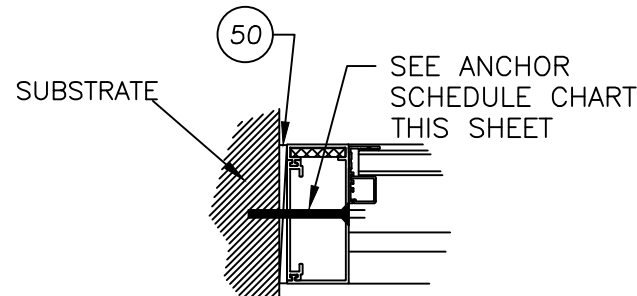
PART OR ASSEMBLY:
 604 SERIES WINDOW
 SECTIONS & DETAILS

NO.	DATE	REVISIONS
5	8/09/23	UPDATE TO 8TH ED. (2023) FBC
4	8/07/20	UPDATE TO 7TH ED. (2020) FBC
3	7/13/17	UPDATE TO 6TH ED. (2017) FBC
2	3/30/15	UPDATE TO 5TH ED. (2014) FBC
1	1/23/12	UPDATE TO 2010 FBC

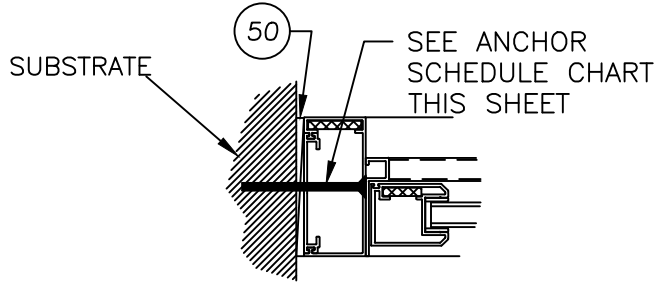
DATE: 5/10/08
 SCALE: N.T.S.
 DWG. BY: DT
 CHK. BY: LFS
 DRAWING NO.: FL-5102.2
 SHEET 6 OF 9



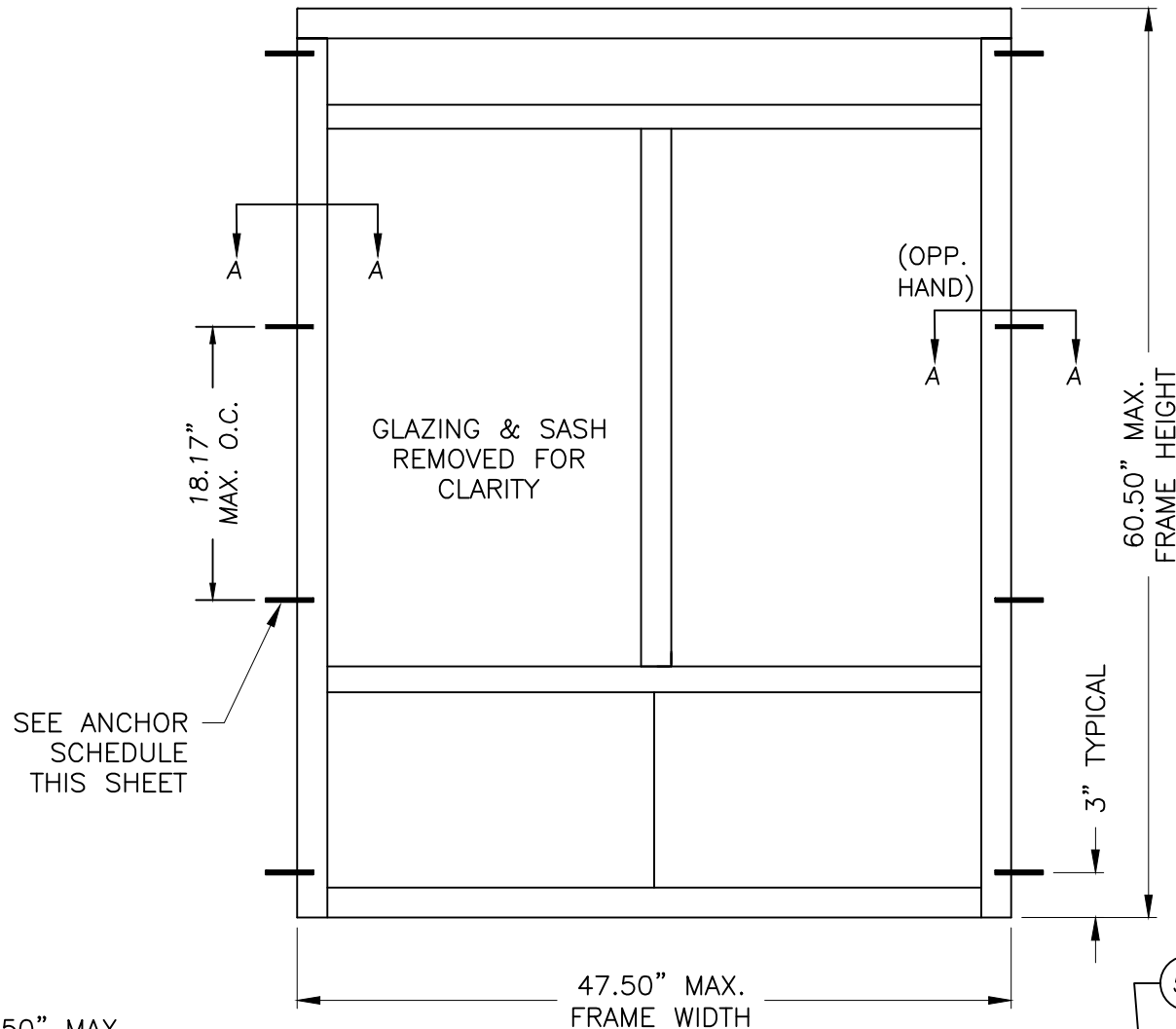
603 AND 604 SERIES WINDOW



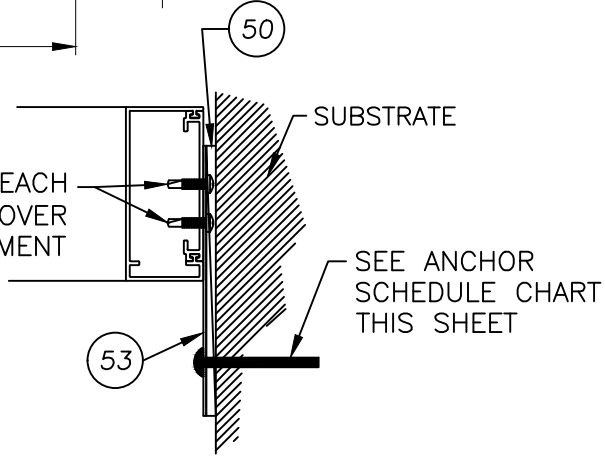
SECTION AA
FIXED WINDOW PANEL



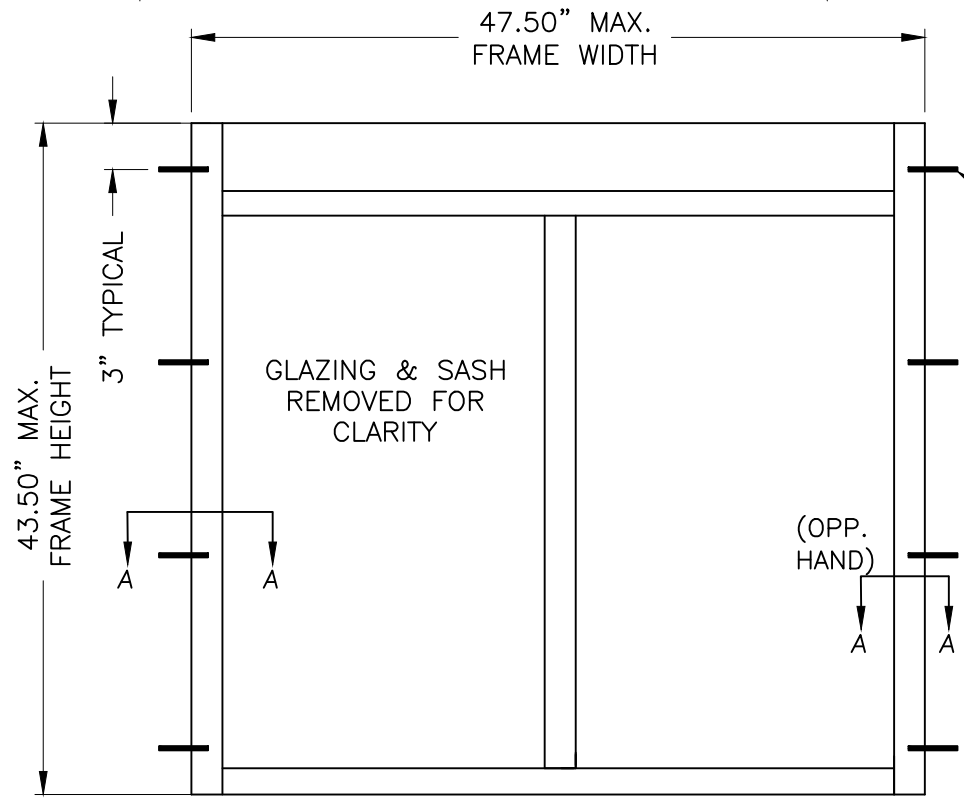
SECTION AA
ACTIVE WINDOW PANEL



601 AND 602 SERIES WINDOW



SECTION AA
USING MOUNTING STRAP



600 SERIES WINDOW

ANCHOR SCHEDULE	
SUBSTRATE	ANCHOR
CONCRETE: 3,000 PSI CONCRETE (ACI 301) HOLLOW BLOCK (ASTM C90)	1/4" ϕ HWH ITW TAPCON CONCRETE ANCHOR (1.25" MIN. EMBEDMENT, 2.5" MIN EDGE DISTANCE & 4" MIN. CL DISTANCE)
STEEL: 16 GA. MIN. (ASTM A36, GRADE 33)	1/4"-20 HILTI KWIK-FLEX SELF-DRILLING SMS (MIN. PROTRUSION OF 3 THREADS BEYOND FULL ENGAGEMENT, 3/4" MIN. EDGE DISTANCE & 1" MIN. CL DISTANCE)
WOOD (DOUBLE 2X BUCK): SG = 0.55 OR BETTER	#14 WOOD SCREW (1.75" MIN. EMBEDMENT, 3/4" MIN. EDGE DISTANCE & 1" MIN. CL DISTANCE)

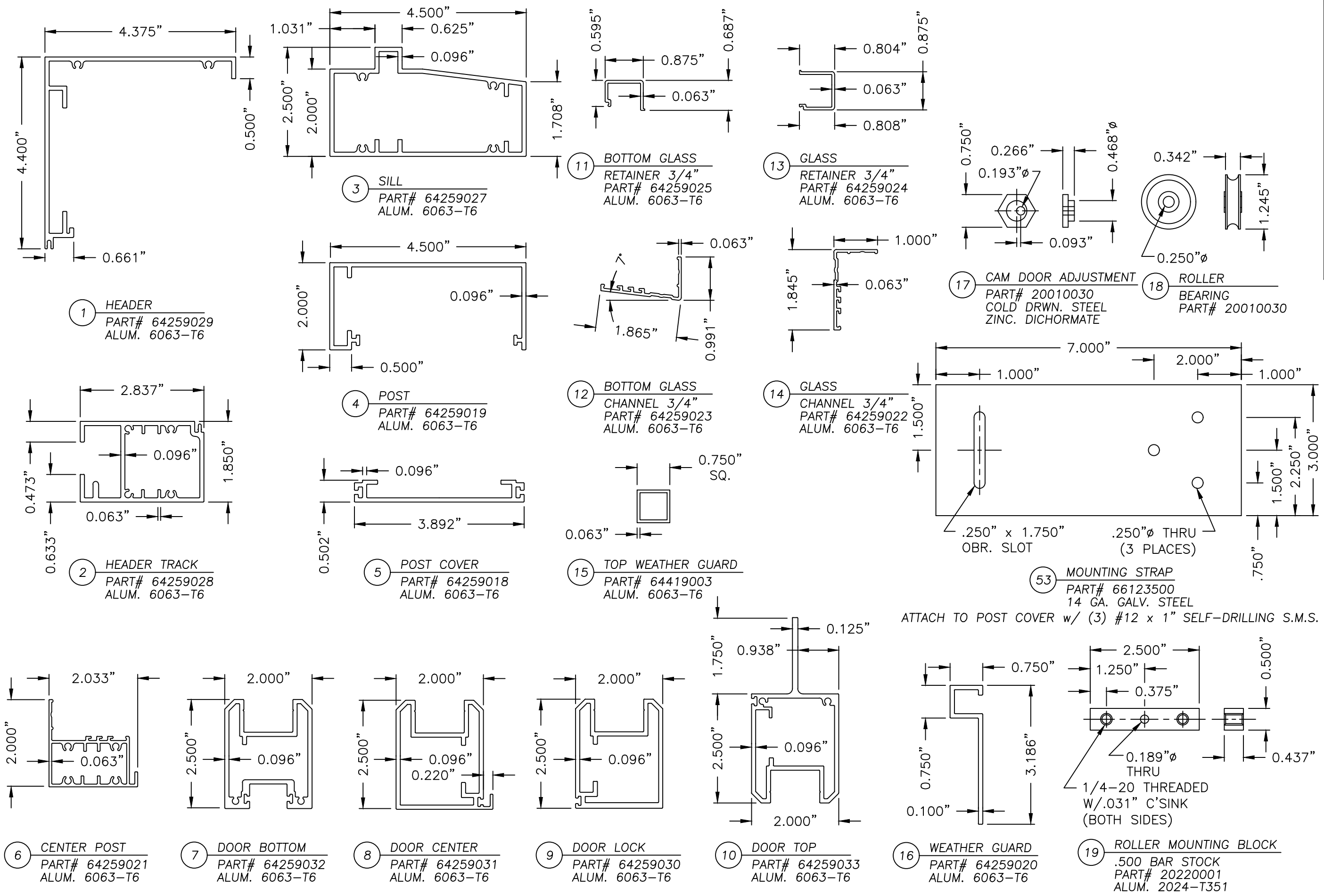
Documents Prepared By:
Lyndon F. Schmidt
P.E. No. 43409

RW BUILDING CONSULTANTS, INC.
P.O. Box 230, Valrico, FL 33595
Phone No.: 813.659.9197
FBPE Registry No. 9813

PRODUCT: READY ACCESS
DRIVE THROUGH WINDOW
"NON-IMPACT"
PART OR ASSEMBLY:
ANCHORING

NO.	DATE	REVISIONS
5	8/09/23	UPDATE TO 8TH ED. (2023) FBC
4	8/07/20	UPDATE TO 7TH ED. (2020) FBC
3	7/13/17	UPDATE TO 6TH ED. (2017) FBC
2	3/30/15	UPDATE TO 5TH ED. (2014) FBC
1	1/23/12	UPDATE TO 2010 FBC

DATE: 9/10/08
SCALE: N.T.S.
DWG. BY: DT
CHK. BY: LFS
DRAWING NO.:
FL-5102.2
SHEET 7 OF 9



Documents Prepared By:
Lyndon F. Schmidt
P.E. No. 43409

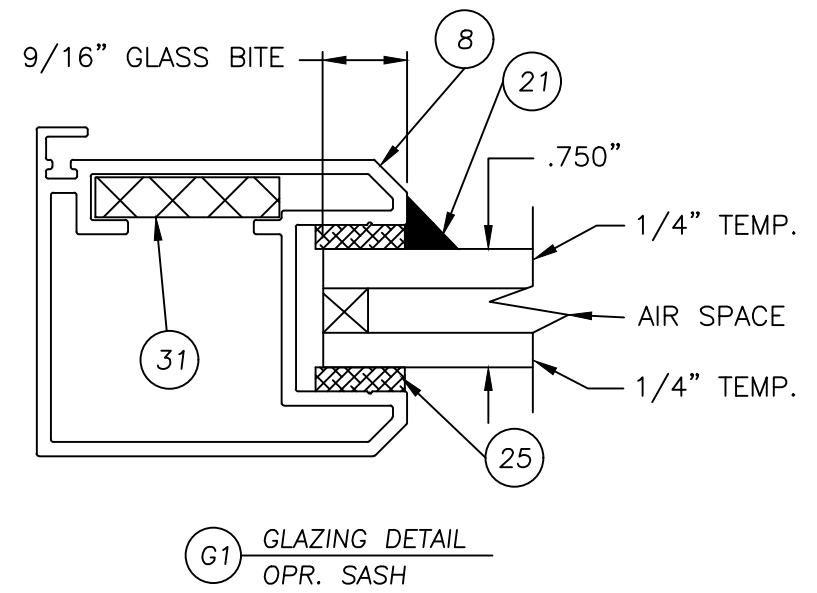
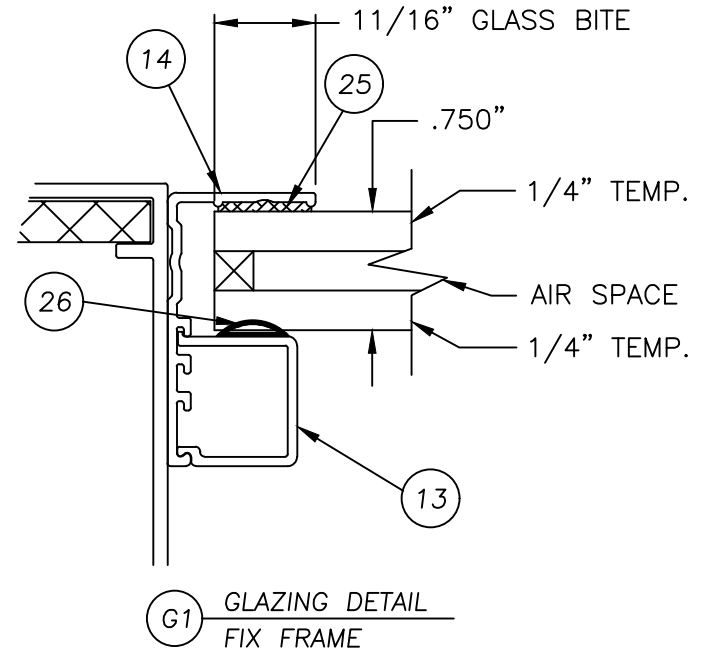
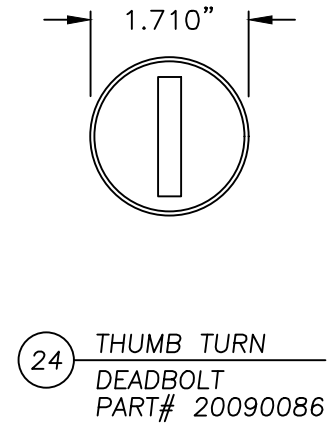
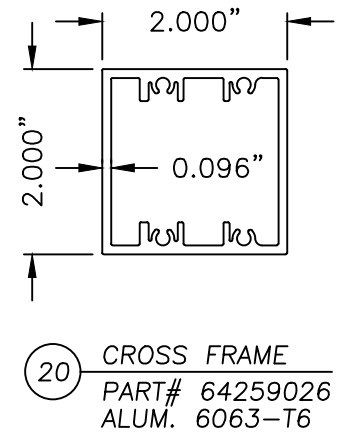
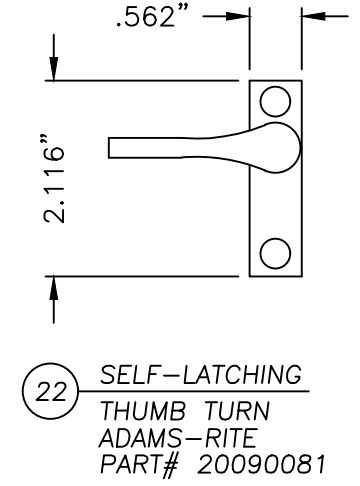
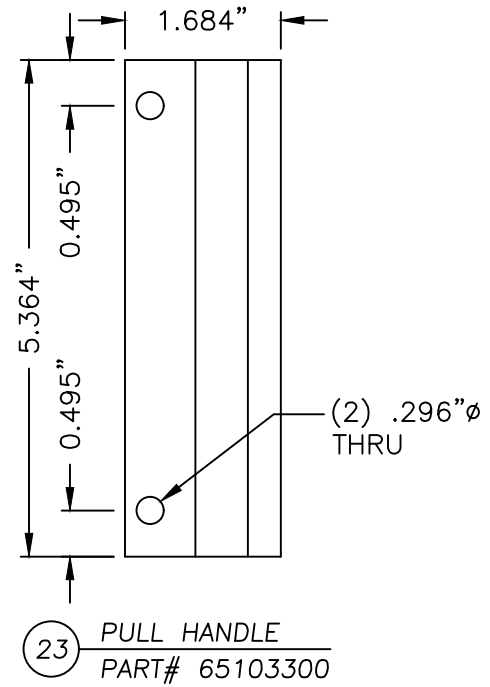
RW BUILDING CONSULTANTS, INC.
P.O. Box 230, Valrico, FL 33595
Phone No.: 813.659.9197
FBPE Registry No. 9813

PRODUCT:		READY ACCESS	DRIVE THROUGH WINDOW	NON-IMPACT
PART OR ASSEMBLY:		COMPONENTS		
REV	DATE	BY	KV	LFS
5	8/09/23	LFS	FBC	FBC
4	8/07/20	LFS	FBC	FBC
3	7/13/17	LFS	FBC	FBC
2	3/30/15	LFS	FBC	FBC
1	1/23/12	LFS	FBC	FBC
REVISIONS				

DATE: 5/10/08
SCALE: N.T.S.
DWG. BY: DT
CHK. BY: LFS
DRAWING NO.: FL-5102.2
SHEET 8 OF 9

© 2008 R.W. BUILDING CONSULTANTS INC.

ITEM	DESCRIPTION	MATERIAL
1	HEADER PART# 64259029 ALUM. 6063-T6	ALUM.
2	HEADER TRACK PART# 64259028 ALUM. 6063-T6	ALUM.
3	SILL PART# 64259027 ALUM. 6063-T6	ALUM.
4	POST PART# 64259019 ALUM. 6063-T6	ALUM.
5	POST COVER PART# 64259018 ALUM. 6063-T6	ALUM.
6	CENTER POST PART# 64259021 ALUM. 6063-T6	ALUM.
7	DOOR BOTTOM PART# 64259032 ALUM. 6063-T6	ALUM.
8	DOOR CENTER PART# 64259031 ALUM. 6063-T6	ALUM.
9	DOOR LOCK PART# 64259030 ALUM. 6063-T6	ALUM.
10	DOOR TOP PART# 64259033 ALUM. 6063-T6	ALUM.
11	GLASS RETAINER (3/4") PART# 64259025 ALUM. 6063-T6	ALUM.
12	BOTTOM GLASS CHANNEL (3/4") PART# 64259023 ALUM. 6063-T6	ALUM.
13	GLASS RETAINER (3/4") PART# 64259024 ALUM. 6063-T6	ALUM.
14	GLASS CHANNEL (3/4") PART# 64259022 ALUM. 6063-T6	ALUM.
15	TOP WEATHER GUARD PART# 64419003 ALUM. 6063-T6	ALUM.
16	WEATHER GUARD PART# 64259020 ALUM. 6063-T6	ALUM.
17	CAM DOOR ADJUSTMENT PART# 00651433 STEEL ZINC.	STEEL
18	ROLLER TRACK BEARING PART# 20010030	-
19	ROLLER MOUNTING BLOCK PART# 20220001 ALUM. 2024-T351	TPS
20	CROSS FRAME PART# 64259025 ALUM. 6063-T6	ALUM.
21	SILICONE GLAZING SEALANT DOW 999-A PART# 80050020	SILICONE
22	SELF-LATCHING THUMB TURN PART# 20090081	STEEL
23	PULL HANDLE PART# 65103300	STEEL
24	THUMB TURN DEADBOLT PART# 20090086	STEEL
25	GLAZING FOAM TAPE PART# 20200166	BUTYL
26	RUBBER SEAL "D" SHAPED PART# 40040004	-
27	INSIDE FACE PANEL PART# 66121200	-
28	OUTSIDE FRONT FACE PANEL PART# 56121100	-
29	OUTSIDE SIDE FACE PANEL PART# 66120900	-
30	ARMOR PANEL	-
31	ARMOR STRIP	-
32	GLAZING TAPE 1/2" X .063" PART# 202001155	BUTYL
33	TOP CAP PART# 6122500	-
34	INSULATION PANEL	-
35	COUNTER PART# 96120500	STAIN/STL
37	4X4 GANG BOX	-
38	SPEAKER POWER SUPPLY	-
39	INSIDE MASTER SPEAKER	-
40	OUTSIDE SPEAKER W/HOOKUP WIRE PRE INSTALLED PART# 20110021	-
41	PASS- THRU DRAWER PART# 96130000	-
43	ANGLED SHELF BRACKET	-
44	ROLLER MTG. BOLT 1/4"-20 X 3/4" HEX HEAD MS	-
45	ROLLER MTG. NUT 1/4"-20 NYLON LOCKING NUT	-
46	INSIDE FACE PANEL PART# 66122800	-
47	ARMOR PANEL PART# 66125400	-
50	SHIM 1/4" THK. MAX.	WOOD
53	MOUNTING STRAP (14 ga GALV STEEL)	STEEL



Documents Prepared By:
Lyndon F. Schmidt
P.E. No. 43409

RW BUILDING CONSULTANTS, INC.
P.O. Box 230, Vairico, FL 33595
Phone No.: 813.659.9197
FBPE Registry No. 9813

PRODUCT:
READY ACCESS
DRIVE THROUGH WINDOW
"NON-IMPACT"
PART OR ASSEMBLY:
BILL OF MATERIALS, COMPONENTS
& GLAZING DETAILS

NO.	DATE	REVISIONS
5	8/09/23	UPDATE TO 8TH ED. (2023) FBC
4	8/07/20	UPDATE TO 7TH ED. (2020) FBC
3	7/13/17	UPDATE TO 6TH ED. (2017) FBC
2	3/30/15	UPDATE TO 5TH ED. (2014) FBC
1	1/23/12	UPDATE TO 2010 FBC

DATE: 5/10/08
SCALE: N.T.S.
DWG. BY: DT
CHK. BY: LFS
DRAWING NO.: FL-5102.2
SHEET 9 OF 9